



LEVEL



FLOW



PRESSURE



TEMPERATURE



ELECTRONICS



## Датчики уровня серии SIMPLE – В77

Архангельск (8182)63-90-72  
Астрахань (8512)99-46-04  
Барнаул (3852)73-04-60  
Белгород (4722)40-23-64  
Брянск (4832)59-03-52  
Владивосток (423)249-28-31  
Волгоград (844)278-03-48  
Вологда (8172)26-41-59  
Воронеж (473)204-51-73  
Екатеринбург (343)384-55-89  
Иваново (4932)77-34-06

Ижевск (3412)26-03-58  
Иркутск (395)279-98-46  
Казань (843)206-01-48  
Калининград (4012)72-03-81  
Калуга (4842)92-23-67  
Кемерово (3842)65-04-62  
Киров (8332)68-02-04  
Краснодар (861)203-40-90  
Красноярск (391)204-63-61  
Курск (4712)77-13-04  
Липецк (4742)52-20-81

Киргизия (996)312-96-26-47

Магнитогорск (3519)55-03-13  
Москва (495)268-04-70  
Мурманск (8152)59-64-93  
Набережные Челны (8552)20-53-41  
Нижний Новгород (831)429-08-12  
Новокузнецк (3843)20-46-81  
Новосибирск (383)227-86-73  
Омск (3812)21-46-40  
Орел (4862)44-53-42  
Оренбург (3532)37-68-04  
Пенза (8412)22-31-16

Казахстан (7273)495-231

Пермь (342)205-81-47  
Ростов-на-Дону (863)308-18-15  
Рязань (4912)46-61-64  
Самара (846)206-03-16  
Санкт-Петербург (812)309-46-40  
Саратов (845)249-38-78  
Севастополь (8692)22-31-93  
Симферополь (3652)67-13-56  
Смоленск (4812)29-41-54  
Сочи (862)225-72-31  
Ставрополь (8652)20-65-13

Таджикистан (992)427-82-92-69

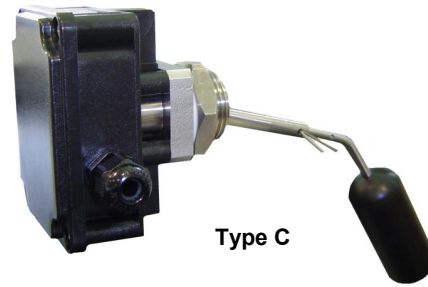
Сургут (3462)77-98-35  
Тверь (4822)63-31-35  
Томск (3822)98-41-53  
Тула (4872)74-02-29  
Тюмень (3452)66-21-18  
Ульяновск (8422)24-23-59  
Уфа (347)229-48-12  
Хабаровск (4212)92-98-04  
Челябинск (351)202-03-61  
Череповец (8202)49-02-64  
Ярославль (4852)69-52-93

Единый адрес для всех регионов: [vck@nt-rt.ru](mailto:vck@nt-rt.ru) || <https://valco.nt-rt.ru/>

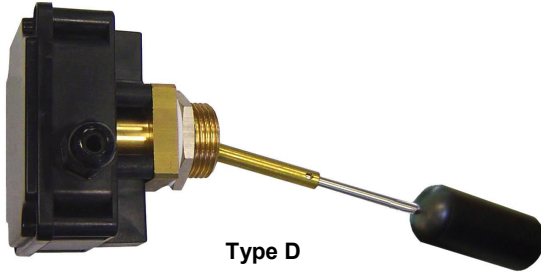
## GENERAL CHARACTERISTICS



These level switches, with their reduced dimensions and simple installation, constitute a reliable solution for the control of liquids in all applications where it is necessary to mount a lateral type. Suitable for use with process temperatures up to 120 °C.



Type C



Type D

- 1 or 2 microswitches.
- Adjustable rod supporting float
- Executions in Brass and AISI-316
- Maximum working pressure 10 Bar
- Operating ambient temperature -30 /+55 °C - 90% RH
- Maximum working temperature 120 °C
- Degree of protection IP65

## TECHNICAL DATA

Tab.1

Process connection		Float - B77	Max. pressure	Max. temperature	Hysteresis	Weight
Ø	DN	S.G.	Bar	°C	mm	g
1"	25	0,4	10	120	max. 24	410

### Male thread

G
Parallel UNI 228/1

### Body materials

O	S
Brass	AISI-316
	On request

### Float materials

B77	Rod
SPANSIL – Butadiene	AISI-303
Acrylonitrile Copolymer	

## ELECTRICAL CONTACTS

Tab.2

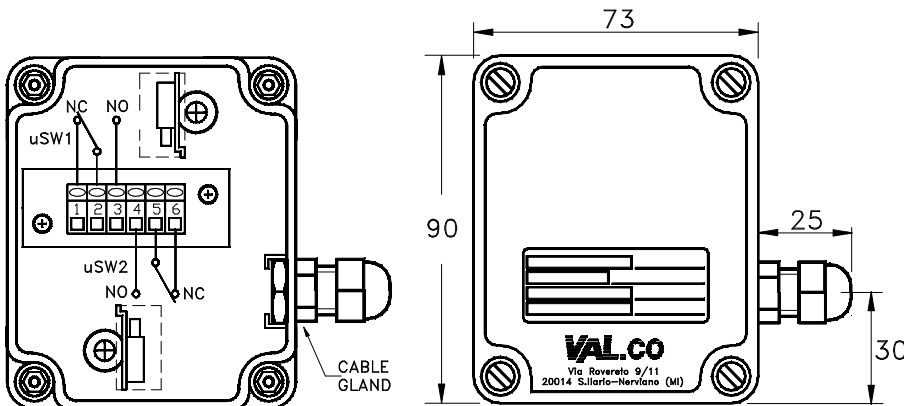
Microswitch	TYPE		VOLTAGE		CURRENT	
	L1 = N.1	L2 = N.2	AC	DC	AC	DC
SPDT	7		250V	48	3A (cosφ=1)	3A

### Wiring

1	3
Independent Separately wired microswitches	SPDT Changeover contacts

## ELECTRICAL OUTPUT

Tab.3

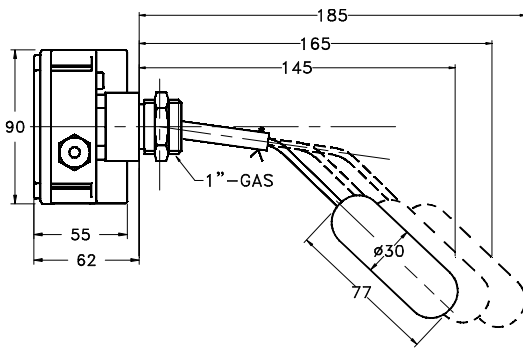


W
IP65 Housing PA6 + glass fiber
6 terminals Polyamide cable gland PG9

## SWITCH POINTS – ROD TYPE C

Tab.4

Switch points of the microswitches reported to the mechanical axis of the instrument with liquid having S.G. = 1



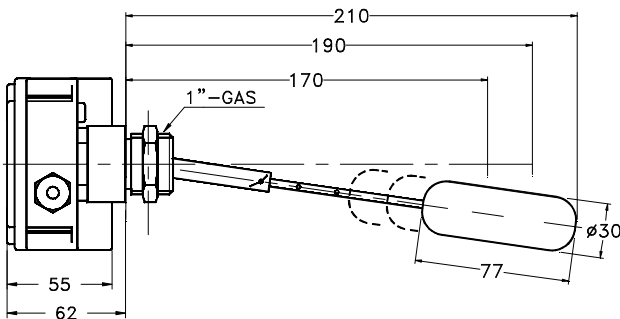
Rod length	Microswitch 1		Microswitch 2	
	ON	OFF	ON	OFF
Long	- 42	- 66	- 36	- 60
Medium	- 48	- 68	- 38	- 58
Short	- 52	- 70	- 38	- 56

General tolerances on the switch points  $\pm 5$  mm.  
All measurements are in mm.

## SWITCH POINTS ROD TYPE D

Tab.5

Switch points of the microswitches reported to the mechanical axis of the instrument with liquid having S.G. = 1



Rod length	Microswitch 1		Microswitch 2	
	ON	OFF	ON	OFF
Long	0	- 22	+ 22	0
Medium	0	- 19	+ 19	0
Short	0	- 17	+ 17	0

General tolerances on the switch points  $\pm 5$  mm.  
All measurements are in mm.

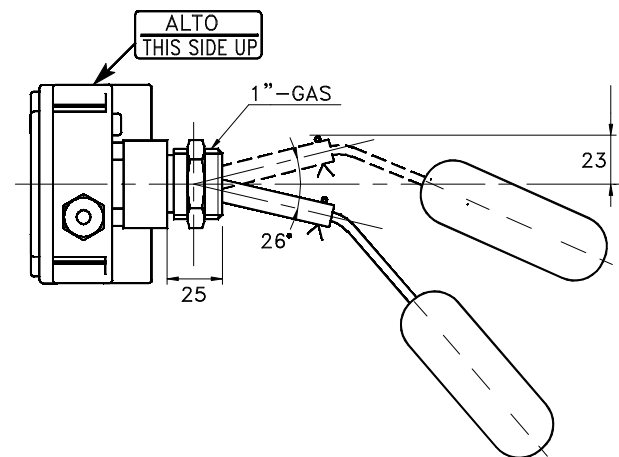
## ASSEMBLY AND INSTALLATION

### Float assembly

- Remove the blocking pin from the rod of the float.
- Insert the rod of the float into the pipe and block it with the pin.
- The float can have 3 different positions depending on the tank and the desired switch point.
- Caution:** To avoid any type of damage to the float, during assembly, work always holding the rod, not the float itself.

### Installation of the instrument in the tank

- Always insert the PTFE sealing gasket between the level control and the tank.
- Caution:** During installation, handle the level switch only by the electrical head without forcing the float.



## NOMENCLATURE

	B77						
•							
	•						
		•					
			•				
				•			
					•		
						•	
							•

Tab.2	Number of electrical contacts L1+ L2
Tab.1	Float
Tab.2	Type of the contacts
Tab.4-	Type of the rod
Tab.1	
Tab.1	
Tab.1	Process connection material
Tab.3	Electrical output
Tab.2	Wiring and contact status

## По вопросам продажи и поддержки обращайтесь:

**Архангельск** (8182)63-90-72  
**Астрахань** (8512)99-46-04  
**Барнаул** (3852)73-04-60  
**Белгород** (4722)40-23-64  
**Брянск** (4832)59-03-52  
**Владивосток** (423)249-28-31  
**Волгоград** (844)278-03-48  
**Волгода** (8172)26-41-59  
**Воронеж** (473)204-51-73  
**Екатеринбург** (343)384-55-89  
**Иваново** (4932)77-34-06

**Ижевск** (3412)26-03-58  
**Иркутск** (395)279-98-46  
**Казань** (843)206-01-48  
**Калининград** (4012)72-03-81  
**Калуга** (4842)92-23-67  
**Кемерово** (3842)65-04-62  
**Киров** (8332)68-02-04  
**Краснодар** (861)203-40-90  
**Красноярск** (391)204-63-61  
**Курск** (4712)77-13-04  
**Липецк** (4742)52-20-81

**Киргизия** (996)312-96-26-47

**Магнитогорск** (3519)55-03-13  
**Москва** (495)268-04-70  
**Мурманск** (8152)59-64-93  
**Набережные Челны** (8552)20-53-41  
**Нижний Новгород** (831)429-08-12  
**Новокузнецк** (3843)20-46-81  
**Новосибирск** (383)227-86-73  
**Омск** (3812)21-46-40  
**Орел** (4862)44-53-42  
**Оренбург** (3532)37-68-04  
**Пенза** (8412)22-31-16

**Казахстан** (7273)495-231

**Пермь** (342)205-81-47  
**Ростов-на-Дону** (863)308-18-15  
**Рязань** (4912)46-61-64  
**Самара** (846)206-03-16  
**Санкт-Петербург** (812)309-46-40  
**Саратов** (845)249-38-78  
**Севастополь** (8692)22-31-93  
**Симферополь** (3652)67-13-56  
**Смоленск** (4812)29-41-54  
**Сочи** (862)225-72-31  
**Ставрополь** (8652)20-65-13

**Таджикистан** (992)427-82-92-69

**Сургут** (3462)77-98-35  
**Тверь** (4822)63-31-35  
**Томск** (3822)98-41-53  
**Тула** (4872)74-02-29  
**Тюмень** (3452)66-21-18  
**Ульяновск** (8422)24-23-59  
**Уфа** (347)229-48-12  
**Хабаровск** (4212)92-98-04  
**Челябинск** (351)202-03-61  
**Череповец** (8202)49-02-64  
**Ярославль** (4852)69-52-93

Единый адрес для всех регионов: [vck@nt-rt.ru](mailto:vck@nt-rt.ru) || <https://valco.nt-rt.ru/>



LEVEL



FLOW



PRESSURE



TEMPERATURE



ELECTRONICS