



LEVEL



FLOW



PRESSURE



TEMPERATURE



ELECTRONICS



Датчики давления серии SENSOBAR – 901

Архангельск (8182)63-90-72
Астрахань (8512)99-46-04
Барнаул (3852)73-04-60
Белгород (4722)40-23-64
Брянск (4832)59-03-52
Владивосток (423)249-28-31
Волгоград (844)278-03-48
Вологда (8172)26-41-59
Воронеж (473)204-51-73
Екатеринбург (343)384-55-89
Иваново (4932)77-34-06

Ижевск (3412)26-03-58
Иркутск (395)279-98-46
Казань (843)206-01-48
Калининград (4012)72-03-81
Калуга (4842)92-23-67
Кемерово (3842)65-04-62
Киров (8332)68-02-04
Краснодар (861)203-40-90
Красноярск (391)204-63-61
Курск (4712)77-13-04
Липецк (4742)52-20-81

Киргизия (996)312-96-26-47

Магнитогорск (3519)55-03-13
Москва (495)268-04-70
Мурманск (8152)59-64-93
Набережные Челны (8552)20-53-41
Нижний Новгород (831)429-08-12
Новокузнецк (3843)20-46-81
Новосибирск (383)227-86-73
Омск (3812)21-46-40
Орел (4862)44-53-42
Оренбург (3532)37-68-04
Пенза (8412)22-31-16

Казахстан (7273)495-231

Пермь (342)205-81-47
Ростов-на-Дону (863)308-18-15
Рязань (4912)46-61-64
Самара (846)206-03-16
Санкт-Петербург (812)309-46-40
Саратов (845)249-38-78
Севастополь (8692)22-31-93
Симферополь (3652)67-13-56
Смоленск (4812)29-41-54
Сочи (862)225-72-31
Ставрополь (8652)20-65-13

Таджикистан (992)427-82-92-69

Сургут (3462)77-98-35
Тверь (4822)63-31-35
Томск (3822)98-41-53
Тула (4872)74-02-29
Тюмень (3452)66-21-18
Ульяновск (8422)24-23-59
Уфа (347)229-48-12
Хабаровск (4212)92-98-04
Челябинск (351)202-03-61
Череповец (8202)49-02-64
Ярославль (4852)69-52-93


Единый адрес для всех регионов: vck@nt-rt.ru || <https://valco.nt-rt.ru/>

GENERAL CHARACTERISTICS



The pressure switches 901 series have a diaphragm sensing element and the adjustable measuring range. Suitable for monitoring pressure, vacuum and differential pressure of both liquid and gasses, also aggressive. The calibration is made easy by a knob that allows the gradual adjustment of the alarm threshold and the reset time of the electrical contact.

The electrical contact is SPDT. There are several mounting brackets and electrical protection degree IP44, IP54 or IP65.

- Pressure ranges from 5 ... 20 mbar to 7 ... 12 bar.
- Vacuum pressure ranges from 5 ... 20 mbar to 300 ... 700 mbar.
- Ranges of differential pressure from 5 ... 20 mbar to 10 ... 100 mbar.
- Mechanical and electrical life, minimum 10⁶ cycles.
- Working temperature from 85 °C to 130 °C depending on diaphragm material and process connection.
- Easy calibration.
- Calibration to customer specification on request.
- Executions ATEX  1/2G Exia IIB T4, 2G Exia IIC T4, on request.



PRESSURE SETTING RANGES – 901.60/90 Tab.1

Code	Setting range		Tolerance value %	Hysteresis of the electrical contact		Max. positive pressure bar				Max. negative pressure bar				
	from	to				standard	extended		standard	extended				
901.61	5	20	± 10	3	mbar	0,5	1	4	2	-	1	-1	2	
901.62	10	50	± 10	5	mbar	0,5	1	4	2	-	1	-1	2	
901.63	25	100	± 10	10	mbar	0,5	1	4	2	-	1	-1	2	
901.64	50	250	± 10	20	mbar	1	1	4	2	-	1	-1	2	
901.65	100	500	± 10	50	mbar	1	1	4	2	-	1	-1	2	
901.66	250	1000	± 10	150	mbar	10	1	-	-	-1	1	-	-	
901.67	500	1500	± 10	250	mbar	10	1	-	-	-1	1	-	-	
901.68	1000	3000	± 10	500	mbar	10	1	-	-	-1	1	-	-	
901.91	1,0	6,0	± 10	0,5	2,0	bar	25	1	-	-	-1	1	-	-
901.92	4,0	9,0	± 10	0,5	2,0	bar	25	1	-	-	-1	1	-	-
901.93	7,0	12,0	± 10	0,5	2,0	bar	25	1	-	-	-1	1	-	-

VACUUM SETTING RANGES – 901.70 Tab.2

Code	Setting range		Tolerance value %	Hysteresis of the electrical contact		Max. positive pressure bar				Max. negative pressure bar			
	from	to				standard	extended		standard	extended			
901.71	-5	-20	± 10	3	mbar	0,5	1	4	2	-1	1	-	-
901.72	-10	-50	± 10	5	mbar	0,5	1	4	2	-1	1	-	-
901.73	-25	-100	± 10	10	mbar	0,5	1	4	2	-1	1	-	-
901.74	-50	-125	± 10	20	mbar	0,5	1	4	2	-1	1	-	-
901.75	-75	-200	± 10	25	mbar	1	1	4	2	-1	1	-	-
901.76	-100	-300	± 10	30	mbar	1	1	4	2	-1	1	-	-
901.77	-200	-500	± 10	75	mbar	1	1	4	2	-1	1	-	-
901.78	-300	-700	± 10	75	mbar	1	1	4	2	-1	1	-	-

PRESSURE ΔP SETTING RANGES – 901.80 Tab.3

Code	Adjustable range		Tolerance range %	Differential switching		Max. positive pressure mbar				Max. negative pressure mbar			
	from	to				standard	extended		standard	extended			
901.81	5	20	± 10	3	mbar	100	1	-	-	-100	1	-	-
901.82	10	50	± 10	5	mbar	100	1	-	-	-100	1	-	-

INSTALLATION POSITION – ALL MODELS

Optional, to be specified for calibration below 100 mbar.

TECHNICAL DATA Tab.4

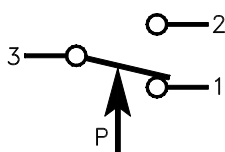
Description	Type												Code
	901.60/90 Pressure			901.70 Vacuum			901.80 Differential pressure - ΔP						
Accuracy	± 10% - standard			± 10% - standard			± 10% - standard						1
	± 5% - on request			± 5% - on request			± 5% on request						2
Diaphragm	NBR			NBR			-						1
	EPDM			EPDM			-						2
	Silicon			Silicon			Silicon						3
	Viton			Viton			-						4
Process connection	See Tab.5			See Tab.5			See Tab.5						-
Ambient temperature	-20 / +85 °C			-20 / +85 °C			20 / +85 °C						-
Standard electrical contact	250Vac	6A	SPDT	250Vac	6A	SPDT	250Vac	6A	SPDT	110Vdc	0,03A	SPDT	4
	110Vdc	0,03A		110Vdc	0,03A		110Vdc	0,03A					
Electrical contact on request	250Vac	10A	SPDT	250Vac	10A	SPDT	250Vac	10A	SPDT	12Vdc	0,1A	SPDT	5
	12Vdc	0,1A	SPDT	12Vdc	0,1A	SPDT	12Vdc	0,1A	SPDT				1
Electrical connection	Faston 6,3 x 0,8 mm.			Faston 6,3 x 0,8 mm.			Faston 6,3 x 0,8 mm.						-

Description	Accessories - options												Code
	901.60/90			901.70			901.80						
Protection See Tab.6	Plastic - Cap IP44			Plastic - Cap IP44			Plastic - Cap IP44						6329
	Rubber - Cap IP54			Rubber - Cap IP54			Rubber - Cap IP54						6365
	Plastic - Cap IP54			Plastic - Cap IP54			Plastic - Cap IP54						6371
	Plastic - Cap IP65			Plastic - Cap IP65			Plastic - Cap IP65						6372
	Plastic - DIN plug IP54			Plastic - DIN plug IP54			Plastic - DIN plug IP54						6374
	Plastic - DIN plug IP65			Plastic - DIN plug IP65			Plastic - DIN plug IP65						6375
Mounting bracket Type L - See Tab.6	30x54x22 mm – Ø _i 14,0 mm.			30x54x22 mm – Ø _i 14,0 mm.			30x54x22 mm – Ø _i 14,0 mm.						6403
	30x54x22 mm – Ø _i 10,5 mm.			30x54x22 mm – Ø _i 10,5 mm.			30x54x22 mm – Ø _i 10,5 mm.						6404
	30x54x22 mm – Ø _i 16,0 mm.			30x54x22 mm – Ø _i 16,0 mm.			30x54x22 mm – Ø _i 16,0 mm.						6405

PROCESS CONNECTIONS Tab.5

Type	Hose connections						Threaded connections							
	5,0 mm		6,5 mm		10,0 mm		M 10x1		G 1/8		G 1/4		G 1/2	
901.61-65	PA	A	PA	B	PA	C	PA	E	PA	D	Brass	L	Brass	S
	-	-	PPS	F	PPS	G	PVDF	H	PVDF	J	-	-	-	-
	-	-	-	-	-	-	Brass	N	Brass	M	-	-	-	-
	-	-	-	-	-	-	S. Steel	P	S. Steel	Q	-	-	-	-
901.66-68	-	-	-	-	-	-	Brass	N	Brass	M	Brass	L	Brass	S
	-	-	-	-	-	-	S. Steel	P	S. Steel	Q	S. Steel	R	-	-
901.71-76	PA	A	PA	B	PA	C	PA	E	PA	D	Brass	L	Brass	S
	-	-	PPS	F	PPS	G	PVDF	H	PVDF	J	S. Steel	R	-	-
	-	-	-	-	-	-	Brass	N	Brass	M	-	-	-	-
	-	-	-	-	-	-	V ₂ A	P	S. Steel	Q	-	-	-	-
901.77-78	-	-	-	-	-	-	Brass	N	Brass	M	Brass	L	Brass	S
	-	-	-	-	-	-	S. Steel	P	S. Steel	Q	S. Steel	R	-	-
901.81-82	-	-	PA	B	-	-	-	-	-	-	-	-	-	-
901.91-93	-	-	-	-	-	-	Brass	N	Brass	M	Brass	L	-	-
	-	-	-	-	-	-	-	-	S. Steel	Q	S. Steel	R	-	-

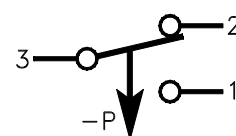
WIRING



901.60

901.80

901.90

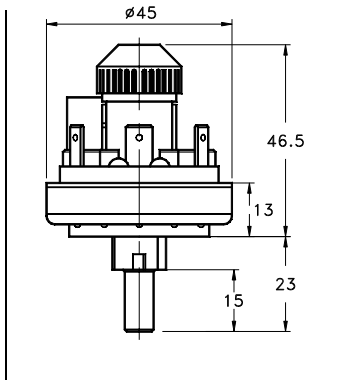


901.70

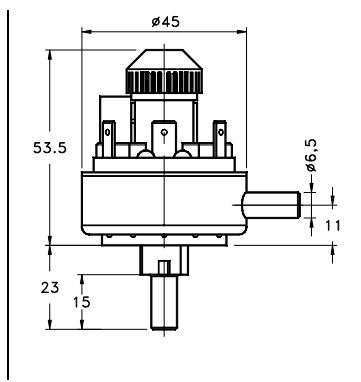
SENSOBAR 901

Pressure switch

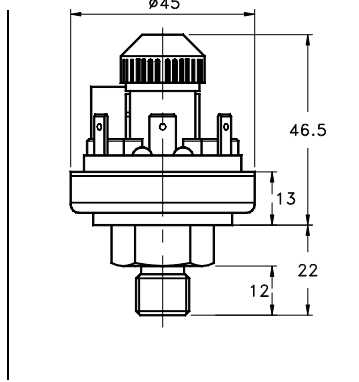
DIMENSIONS mm. Tab.6



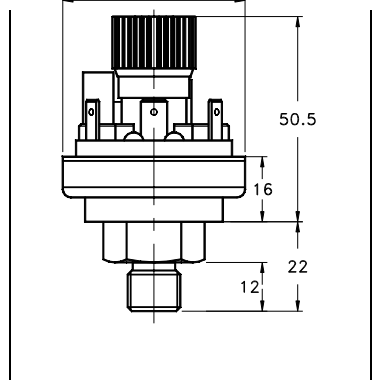
901.60 - 901.70



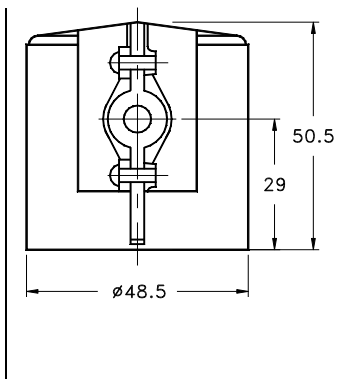
901.80



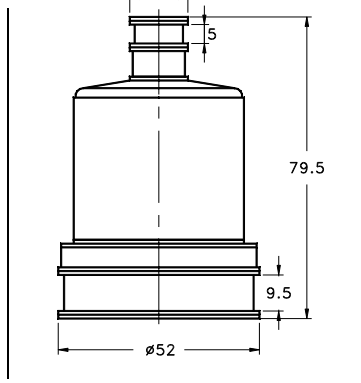
901.60 - 901.70



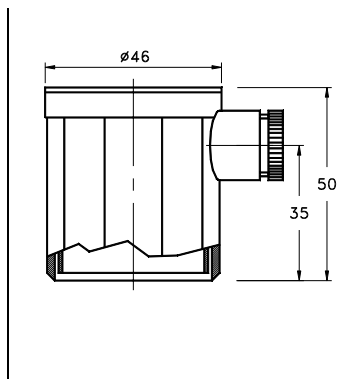
901.90



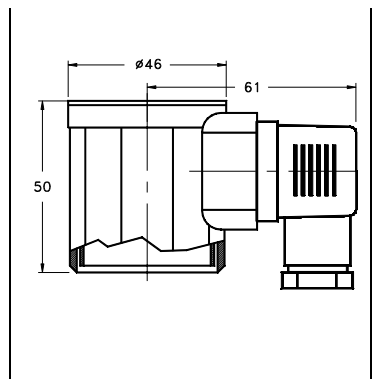
6329 IP44



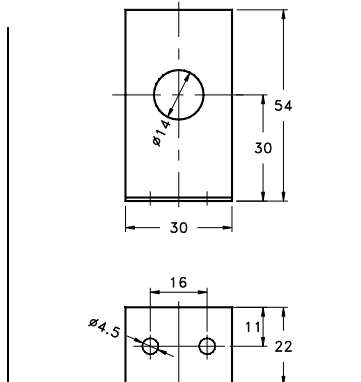
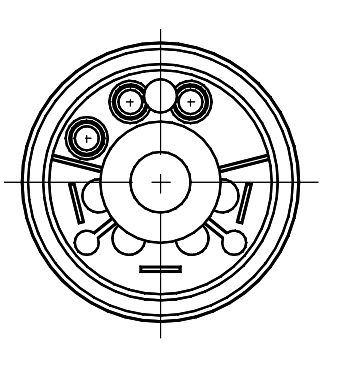
6365 IP54



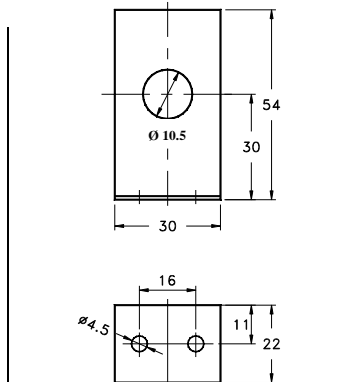
6371 IP54 / 6372 IP65



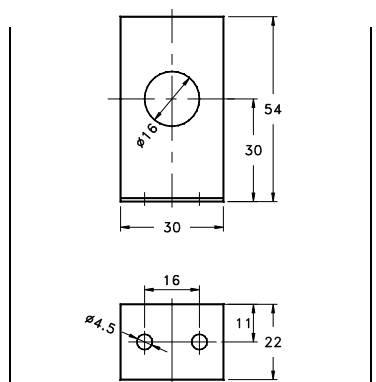
6374 IP54 / 6375 IP65



6403



6404



6405

NOMENCLATURE

901	91	1	1	4	L	4
•						
	•					
		•				
			•			
				•		
					•	
						•

Tab.1	Type
Tab.1-2-3	Setting range
Tab.4	Accuracy
Tab.1-2-3	Max. pressure - standard or extended
Tab.4	Diaphragm material
Tab.5	Process connection material
Tab.4	Electrical contact

6329 IP44	6365 IP54	6371 IP54	Protection cap	Tab.4-6	Accessories – options
6372 IP65	6374 IP54	6375 IP65			
6403	6404	6405			

По вопросам продажи и поддержки обращайтесь:

Архангельск (8182)63-90-72
Астрахань (8512)99-46-04
Барнаул (3852)73-04-60
Белгород (4722)40-23-64
Брянск (4832)59-03-52
Владивосток (423)249-28-31
Волгоград (844)278-03-48
Волгода (8172)26-41-59
Воронеж (473)204-51-73
Екатеринбург (343)384-55-89
Иваново (4932)77-34-06

Ижевск (3412)26-03-58
Иркутск (395)279-98-46
Казань (843)206-01-48
Калининград (4012)72-03-81
Калуга (4842)92-23-67
Кемерово (3842)65-04-62
Киров (8332)68-02-04
Краснодар (861)203-40-90
Красноярск (391)204-63-61
Курск (4712)77-13-04
Липецк (4742)52-20-81

Киргизия (996)312-96-26-47

Магнитогорск (3519)55-03-13
Москва (495)268-04-70
Мурманск (8152)59-64-93
Набережные Челны (8552)20-53-41
Нижний Новгород (831)429-08-12
Новокузнецк (3843)20-46-81
Новосибирск (383)227-86-73
Омск (3812)21-46-40
Орел (4862)44-53-42
Оренбург (3532)37-68-04
Пенза (8412)22-31-16

Казахстан (7273)495-231

Пермь (342)205-81-47
Ростов-на-Дону (863)308-18-15
Рязань (4912)46-61-64
Самара (846)206-03-16
Санкт-Петербург (812)309-46-40
Саратов (845)249-38-78
Севастополь (8692)22-31-93
Симферополь (3652)67-13-56
Смоленск (4812)29-41-54
Сочи (862)225-72-31
Ставрополь (8652)20-65-13

Таджикистан (992)427-82-92-69

Сургут (3462)77-98-35
Тверь (4822)63-31-35
Томск (3822)98-41-53
Тула (4872)74-02-29
Тюмень (3452)66-21-18
Ульяновск (8422)24-23-59
Уфа (347)229-48-12
Хабаровск (4212)92-98-04
Челябинск (351)202-03-61
Череповец (8202)49-02-64
Ярославль (4852)69-52-93

Единый адрес для всех регионов: vck@nt-rt.ru || <https://valco.nt-rt.ru/>



LEVEL



FLOW



PRESSURE



TEMPERATURE



ELECTRONICS