



LEVEL



FLOW



PRESSURE



TEMPERATURE



ELECTRONICS



Специальные приспособления для датчиков VALCO

Архангельск (8182)63-90-72
Астрахань (8512)99-46-04
Барнаул (3852)73-04-60
Белгород (4722)40-23-64
Брянск (4832)59-03-52
Владивосток (423)249-28-31
Волгоград (844)278-03-48
Вологда (8172)26-41-59
Воронеж (473)204-51-73
Екатеринбург (343)384-55-89
Иваново (4932)77-34-06

Ижевск (3412)26-03-58
Иркутск (395)279-98-46
Казань (843)206-01-48
Калининград (4012)72-03-81
Калуга (4842)92-23-67
Кемерово (3842)65-04-62
Киров (8332)68-02-04
Краснодар (861)203-40-90
Красноярск (391)204-63-61
Курск (4712)77-13-04
Липецк (4742)52-20-81

Магнитогорск (3519)55-03-13
Москва (495)268-04-70
Мурманск (8152)59-64-93
Набережные Челны (8552)20-53-41
Нижний Новгород (831)429-08-12
Новокузнецк (3843)20-46-81
Новосибирск (383)227-86-73
Омск (3812)21-46-40
Орел (4862)44-53-42
Оренбург (3532)37-68-04
Пенза (8412)22-31-16

Пермь (342)205-81-47
Ростов-на-Дону (863)308-18-15
Рязань (4912)46-61-64
Самара (846)206-03-16
Санкт-Петербург (812)309-46-40
Саратов (845)249-38-78
Севастополь (8692)22-31-93
Симферополь (3652)67-13-56
Смоленск (4812)29-41-54
Сочи (862)225-72-31
Ставрополь (8652)20-65-13

Сургут (3462)77-98-35
Тверь (4822)63-31-35
Томск (3822)98-41-53
Тула (4872)74-02-29
Тюмень (3452)66-21-18
Ульяновск (8422)24-23-59
Уфа (347)229-48-12
Хабаровск (4212)92-98-04
Челябинск (351)202-03-61
Череповец (8202)49-02-64
Ярославль (4852)69-52-93

Киргизия (996)312-96-26-47

Казахстан (7273)495-231

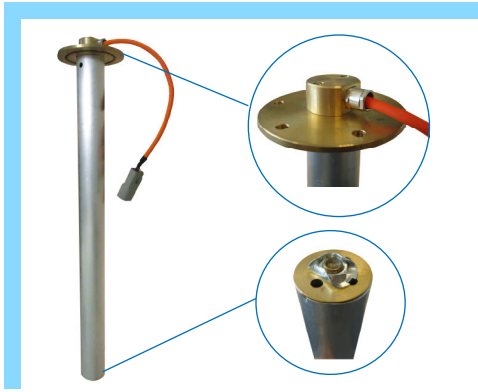
Таджикистан (992)427-82-92-69

Единый адрес для всех регионов: vck@nt-rt.ru || <https://valco.nt-rt.ru/>

По вопросам продажи и поддержки обращайтесь:



Custom Special Items



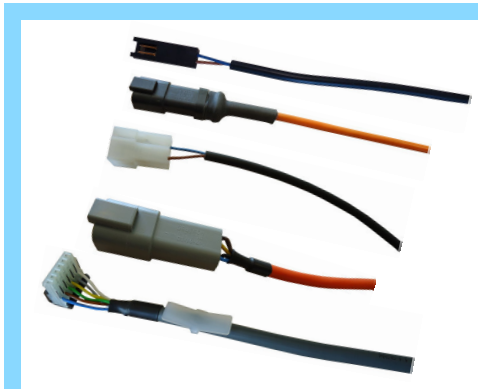
Metering and/or control of a liquid moving level with severe working conditions where a rugged mechanical construction is required.



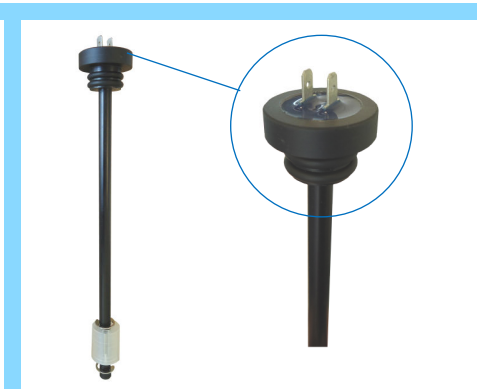
Multi-level switch equipped with integrated connections system for filling and suction of the working liquid in the process.



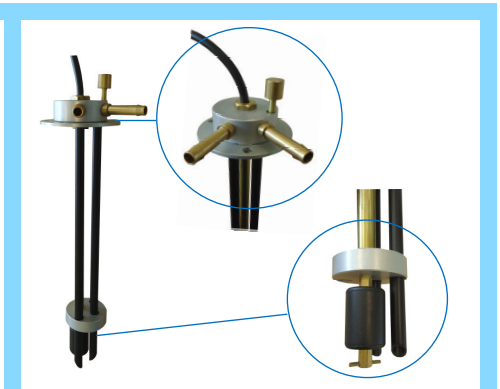
Level switch with still pipe protection for monitoring of the minimum oil level in the engine cups. Process connection 1/2" BSP-M.



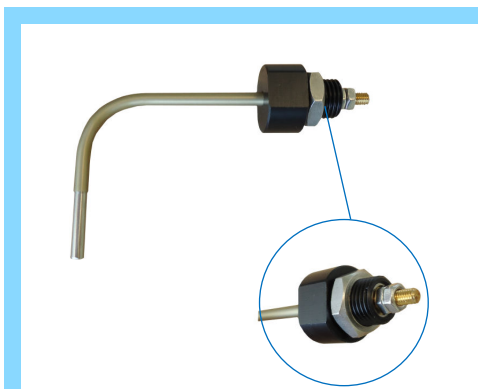
Electrical cable output, with wiring made in according to the customers' requirements.



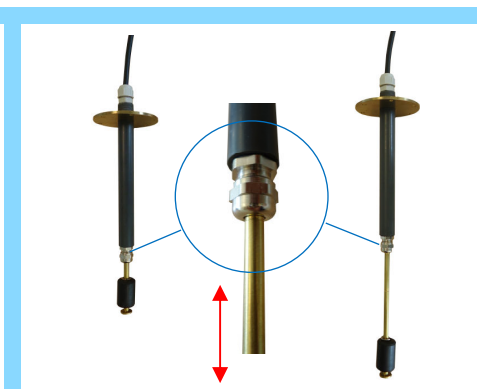
Level control with process connection without thread and double seal OR for fixing in jerricans or plastic containers.



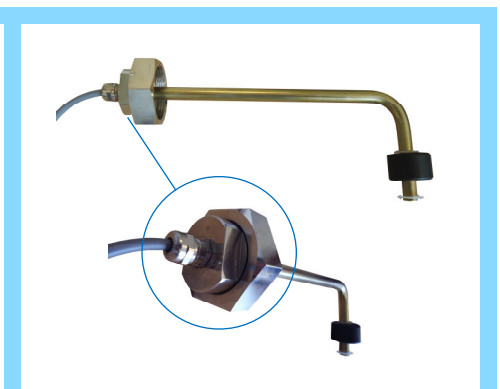
Minimum level control device, with integrated air vent and hose connections for suction and filling of the fuel in the flat tanks.



Conductive level probe for horizontal mounting inside the tank, with mechanical connection and electrode sized in according to the customers' requirements.



Minimum or maximum level control system, with mechanical adjustment of the switching point.



Level control with Rotalock process connection, versions for horizontal or vertical installation.





Custom Special Items



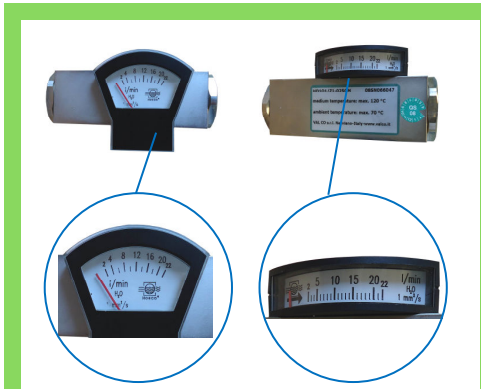
Flow-switch with more electrical heads and adjustable independent alarm thresholds, you can get up to a maximum of n. 4 alarm thresholds.



Flow-switch for industrial applications, equipped with both an adjustable alarm contact and an integrated flow rate display system. Available for pipes up to DN 300.



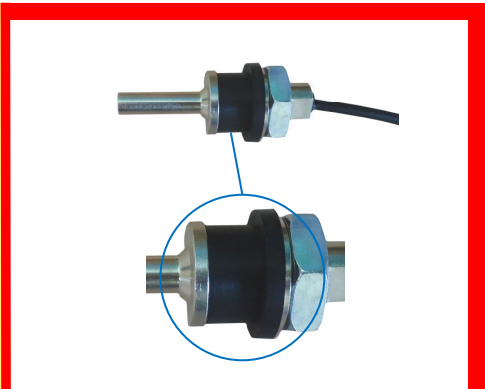
Control of flow and pressure, integrated into a single instrument. The system has a fixed calibration for flow contact and adjustable setting for pressure contact.. Process connection is 1/2" BSP-F.



Flow meter indication on a dry scale. Operating pressure up at PN500. The indicator is driven by a magnetic coupling and is not subject to the pressure of the process.



Pressure, differential pressure and vacuum switches with process connections for application in the food industry. Adjustable setting ranges starting from 5/20 mbar up to 7/12 bar.



Temperature sensor with a mechanical fastening system without thread, with compression / expansion seal fixing. Mounting on wall of 2 to 6 mm thickness, through a hole of 22 mm diameter.



Temperature sensor with integrated heat sink to protect M12 electrical connection. Versions with measuring element Pt100, Pt1000, NTC, PTC..



Microprocessor-based electronic unit for control and management of working cycle of the equipment and machines in the medical field. Customized management programs.



Microprocessor-based electronic unit for control and management of the process instrumentation in the Industrial field. Customized management programs.



FLANGE

Pressure gauge Ø	Material	Code
40	ABS	F-040N
50	Stainless steel	F-050S
63	Stainless steel	F-063S
80	Stainless steel	F-080S
100	Stainless steel	F-100S
150	Stainless steel	F-150S

BRACKET

Pressure gauge Ø	Material	Code
40	Steel	S-040N
50	Steel	S-050S
63	Steel	S-063S
100	Steel	S-100S
150	Steel	S-150S



TAPS WITH PRESSURE GAUGE HOLDER

Connections Ø	PN	Type	Material	Code
1/4 Gas	15 bar	2 ways	Brass	RO-082LP
3/8 Gas	15 bar	2 ways	Brass	RO-102LP
1/2 Gas	15 bar	2 ways	Brass	RO-152LP
1/4 Gas	15 bar	3 ways	Brass	RO-083LP
3/8 Gas	15 bar	3 ways	Brass	RO-103LP
1/2 Gas	15 bar	3 ways	Brass	RO-153LP
1/4 Gas	15 bar	With diaphragm for gas	Nickel plated brass	RB-08MLP
3/8 Gas	15 bar	With diaphragm for gas	Nickel plated brass	RB-10MLP
1/2 Gas	15 bar	With diaphragm for gas	Nickel plated brass	RB-15MLP
1/4 Gas	250 bar	2 ways	Brass	RO-082HP
1/2 Gas	250 bar	2 ways	Brass	RO-152HP
1/2 Gas	400 bar	2 ways	Steel	RC-152HP
1/2 Gas	630 bar	2 ways	Stainless steel	RS-152HP
1/2 Gas	250 bar	3 ways	Brass	RO-153HP
1/2 Gas	400 bar	3 ways	Steel	RC-153HP
1/2 Gas	630 bar	3 ways	Stainless steel	RS-153HP



COIL

Connections Ø	PN	Type	Connections material	Code
1/4 Gas	30 bar	Copper pipe	Brass	SO-082LP
3/8 Gas	30 bar	Copper pipe	Brass	SO-102LP
1/2 Gas	30 bar	Copper pipe	Brass	SO-152LP
1/2 Gas	250 bar	Steel pipe	Steel	SC-152HP
1/2 Gas	400 bar	Stainless steel pipe	Stainless steel	SS-152HP

ONE WAY VALVE

Ø	PN	Connections	Connections material	Code
3/8 Gas	10 bar	3/8 M / 3/8 F	Brass	VO-1010LP
1/2 Gas	10 bar	1/2 M / 1/4 F	Brass	VO-1508LP

Архангельск (8182)63-90-72
Астрахань (8512)99-46-04
Барнаул (3852)73-04-60
Белгород (4722)40-23-64
Брянск (4832)59-03-52
Владивосток (423)249-28-31
Волгоград (844)278-03-48
Вологда (8172)26-41-59
Воронеж (473)204-51-73
Екатеринбург (343)384-55-89
Иваново (4932)77-34-06

Ижевск (3412)26-03-58
Иркутск (395)279-98-46
Казань (843)206-01-48
Калининград (4012)72-03-81
Калуга (4842)92-23-67
Кемерово (3842)65-04-62
Киров (8332)68-02-04
Краснодар (861)203-40-90
Красноярск (391)204-63-61
Курск (4712)77-13-04
Липецк (4742)52-20-81

Магнитогорск (3519)55-03-13
Москва (495)268-04-70
Мурманск (8152)59-64-93
Набережные Челны (8552)20-53-41
Нижний Новгород (831)429-08-12
Новокузнецк (3843)20-46-81
Новосибирск (383)227-86-73
Омск (3812)21-46-40
Орел (4862)44-53-42
Оренбург (3532)37-68-04
Пенза (8412)22-31-16

Пермь (342)205-81-47
Ростов-на-Дону (863)308-18-15
Рязань (4912)46-61-64
Самара (846)206-03-16
Санкт-Петербург (812)309-46-40
Саратов (845)249-38-78
Севастополь (8692)22-31-93
Симферополь (3652)67-13-56
Смоленск (4812)29-41-54
Сочи (862)225-72-31
Ставрополь (8652)20-65-13

Сургут (3462)77-98-35
Тверь (4822)63-31-35
Томск (3822)98-41-53
Тула (4872)74-02-29
Тюмень (3452)66-21-18
Ульяновск (8422)24-23-59
Уфа (347)229-48-12
Хабаровск (4212)92-98-04
Челябинск (351)202-03-61
Череповец (8202)49-02-64
Ярославль (4852)69-52-93

Киргизия (996)312-96-26-47

Казахстан (7273)495-231

Таджикистан (992)427-82-92-69

Единый адрес для всех регионов: vck@nt-rt.ru || <https://valco.nt-rt.ru/>



LEVEL



FLOW



PRESSURE



TEMPERATURE



ELECTRONICS